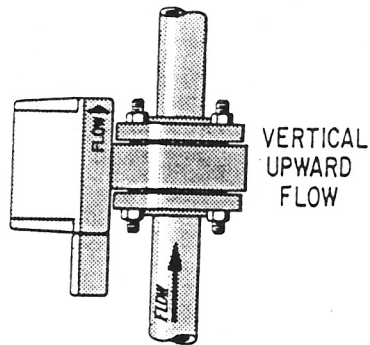
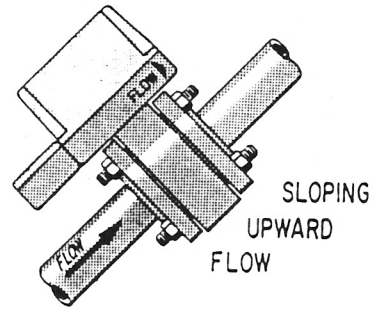


PREFERRED  
INSTALLATION



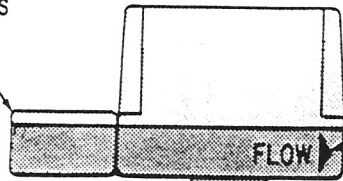
VERTICAL  
UPWARD  
FLOW



SLOPING  
UPWARD  
FLOW

• JUNCTION BOX •  
POWER AND OUTPUT INTERCONNECTIONS  
(INTEGRAL SIGNAL CONVERTER)

UPSTREAM FLANGE CONNECTION

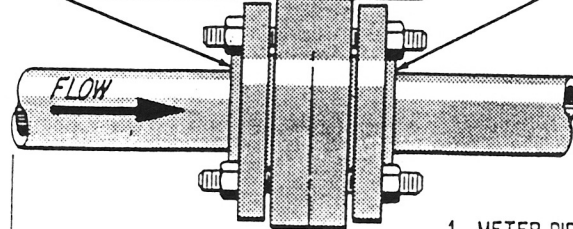


FLOW DIRECTION ARROW

DOWNSTREAM FLANGE CONNECTION

ACCEPTABLE  
INSTALLATION  
WITH  
LIMITATIONS

HORIZONTAL  
FLOW TO LEFT  
OR RIGHT



UPSTREAM

MINIMUM STRAIGHT PIPE  
RUN EQUIVALENT TO  
3 TIMES METER SIZE

NOTES

1. METER PIPE MUST BE FULL. IF METER IS IN GRAVITY FED VERTICAL PIPE RUN, FLOW SHOULD BE UPWARD.
2. METER MUST BE ORIENTED IN ACCORDANCE WITH FLOW DIRECTION.
3. WHEN REQUIRED, FLOW CONTROL VALVE MUST BE LOCATED DOWNSTREAM OF MAGNETIC FLOWMETER.

SI 5840

FIGURE 5. RECOMMENDED PIPING DIAGRAM