

## ***Air Leakage Testing***

### **Description of application**

A wide range of products require that the air leakage in (or out) be limited to a practical (or statutory) level. Leakage measurements require the measurement of air flows for R&D, manufacturing inspection and qualification testing.

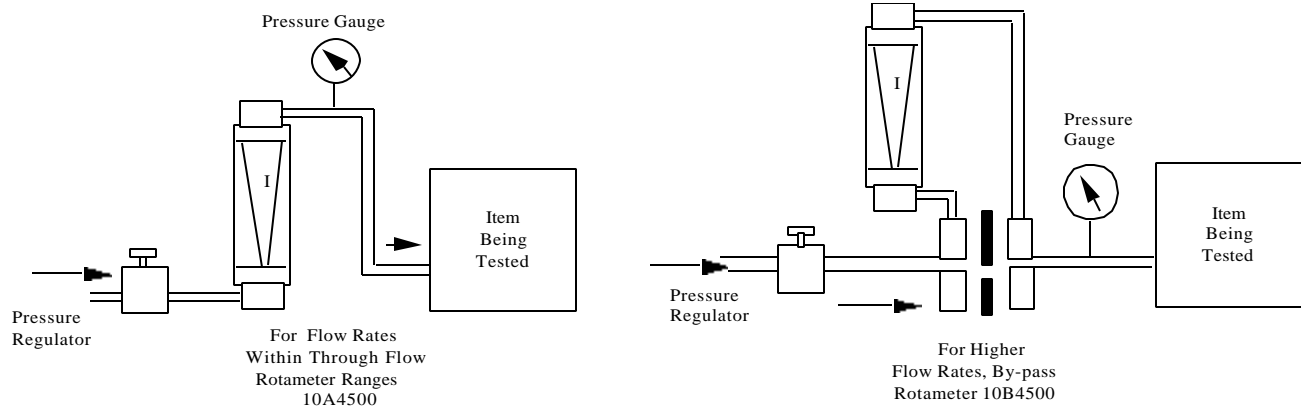
### **Where Used**

- Aircraft manufacturers and maintenance facilities.
- Commercial cold room and freezer chest manufacturers.
- Rail car manufacturers and maintenance facilities.
- RV and mobile home manufacturers.
- Window and door manufacturers.

### **Rotameter Solution**

While flow rates vary widely depending on the product being tested, indicating rotameters capable of measuring flow rates of very low pressure air, provide the most convenient solution at the lowest installed cost.

### **How Installed**



### **Method of Operation**

Where the product being tested is an enclosure (e.g. air frames, commercial freezer chests), air is introduced at a fixed and very low positive pressure above atmospheric. A rotameter in the supply line indicates the leakage by measuring the air supply required to maintain the pressure in the chamber. Products manufactured and sold as a part of an enclosure (e.g. doors, windows) are mounted into an aperture in the wall of an otherwise airtight chamber and tested as described above.

### **Model Selection**

Use any Rotameter or Bypass Rotameter that is suitable for use at the low pressures required for the application. Accuracy requirements would normally limit selection to 10A4500, 10B4500.

